

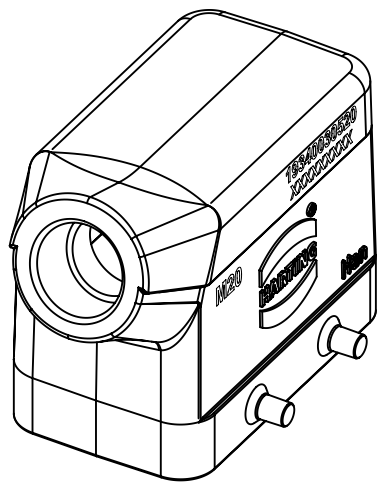
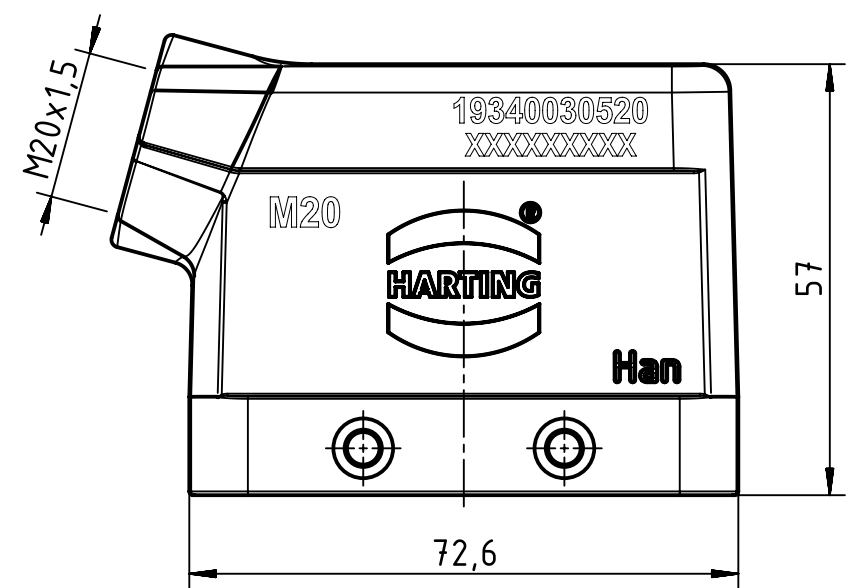
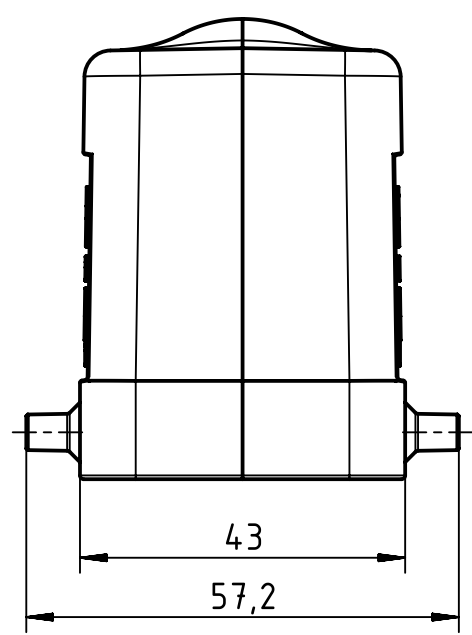
1 2 3 4 5 6

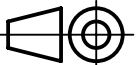

A

B

C

D



 All Dimensions in mm Original Size DIN A4	Scale	Free size tol.		Ref.	
	1:1			Sub.	
 All rights reserved Department EL PD	Created by	Inspected by	Standardisation	Date	State
	HELLMANN	GERB	GARSKE	2019-11-29	Final Release
HARTING Electric GmbH & Co. KG D-32339 Espelkamp	Title			Doc-Key / ECM-Nr.	
	Han 3HvE-gs-M20			100200958/UGD/004/D 500000161582	
Type		Number		Rev.	Page
TB		19 34 003 0520		D	1/1